

3M Science.
Applied to Life.™

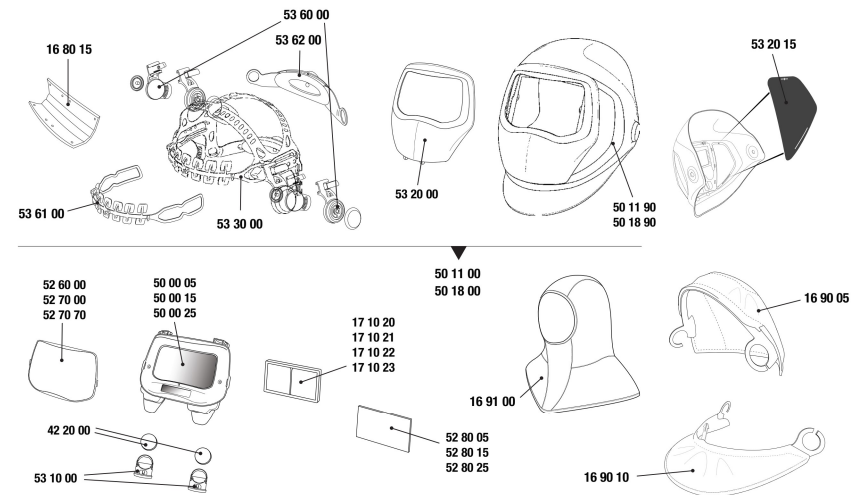
Personal Safety Welding Products

3M™ Speedglas™ 9100



Speedglas 9100 Welding Helmets (complete with auto-darkening filter)	With Side Windows	Without Side Windows
	Part No	Part No
Speedglas 9100 Helmet with 9100V filter shade 5, 8, 9-13	501805	501105
Speedglas 9100 Helmet with 9100X filter shade 5, 8, 9-13	501815	501115
Speedglas 9100 Helmet with 9100XX filter shade 5, 8, 9-13	501825	501125
Speedglas 9100 Welding Helmet without welding filter*		
Speedglas 9100 Helmet	501800	501100
Speedglas Auto-Darkening Filters (ADFs)		
*Combine with choice of auto-darkening filter from:		
Speedglas 9100V filter shade 5, 8, 9-13	500005	
Speedglas 9100X filter shade 5, 8, 9-13	500015	
Speedglas 9100XX filter shade 5, 8, 9-13	500025	

Product illustrations



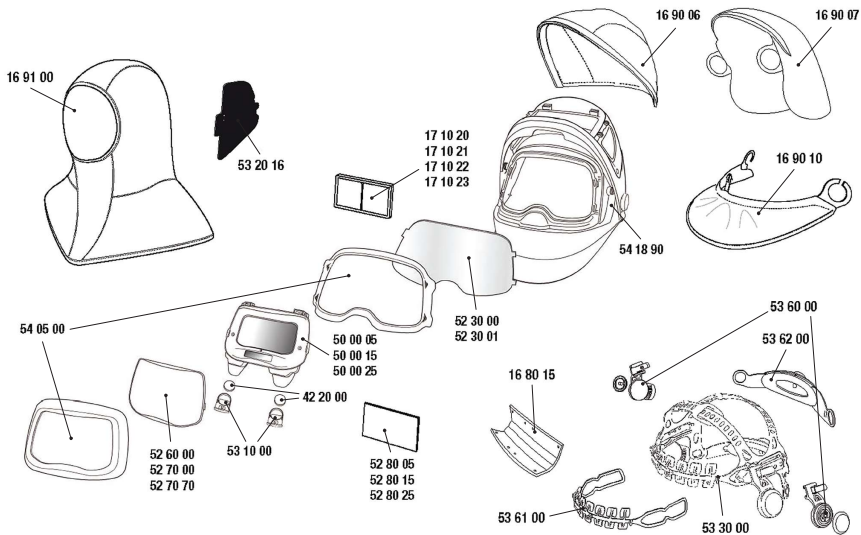
Telephone: 01782 566553 Fax: 01782 566123

3M™ Speedglas™ 9100FX



Speedglas 9100FX Welding Helmets (complete with auto-darkening filter)		Part No
Speedglas 9100FX Helmet with 9100V filter shade 5, 8, 9-13		541805
Speedglas 9100FX Helmet with 9100X filter shade 5, 8, 9-13		541815
Speedglas 9100FX Helmet with 9100XX filter shade 5, 8, 9-13		541825
Speedglas 9100FX Welding Helmet without welding filter*		
Speedglas 9100FX Helmet		541800
*Combine with choice of auto-darkening filter from:		
3M Speedglas Auto-Darkening Filters (ADFs)		
Speedglas 9100V filter shade 5, 8, 9-13		500005
Speedglas 9100X filter shade 5, 8, 9-13		500015
Speedglas 9100XX filter shade 5, 8, 9-14		500025

Product illustrations



3M™ Speedglas™ 9100 and 9100FX

Speedglas 9100 Outer Protection Plates	Packaging			
	Part No	Per Box	Boxes Per Case	Per Case
Speedglas Outer protection plate standard (Also available as a mini pack case of 20 packs.)	526000	10	5	50
Speedglas Outer protection plate scratch resistant	527000	10	1	10
Speedglas Outer protection plate heat resistant	527070	10	1	10
Speedglas 9100 Inner Protection Plates				
Speedglas 9100V Inner protection plate (Also available as a mini pack case of 30 packs.)	528005	5	1	5
Speedglas 9100X Inner protection plate (Also available as a mini pack case of 30 packs.)	528015	5	1	5
Speedglas 9100XX Inner protection plate (Also available as a mini pack case of 30 packs.)	528025	5	1	5
Inner Coverplate, +1 shade for 9100V welding filter	528006	3	1	3
Inner Coverplate, +2 shade for 9100V welding filter	528007	3	1	3
Inner Coverplate, +1 shade for 9100X welding filter	528016	3	1	3
Inner Coverplate, +2 shade for 9100X welding filter	528017	3	1	3
Inner Coverplate, +1 shade for 9100XX welding filter	528026	3	1	3
Inner Coverplate, +2 shade for 9100XX welding filter	528027	3	1	3
Speedglas 9100 Sweatbands				
Speedglas 9100 Sweatband	168015	3	1	3
Speedglas 9100 Head, Ear and Throat Protection				
9100 Extended head protector	169005	1	1	1
9100 Extended throat and ear protector	169010	1	1	1
Welding Hood (throat/head coverage)	169100	1	1	1
Speedglas 9100 Other Items				
9100 Helmet (without SW) without headband	501190	1	1	1
9101 Helmet (with SW) without headband	501890	1	1	1
9100 Silver front cover	532000	1	1	1
9100 Headband, complete	533000	1	1	1
9100 Headband pivot mechanism, both sides	536000	1	1	1
9100 Headband front part	536100	1	1	1
9100 Headband back part	536200	1	1	1
9100 Battery holder	531000	2	1	2
9100 Side Windows Cover Plate, 2 pairs	532015	2	1	2
Battery pack of 2 (Also available as a mini pack case of 150 packs.)	422000	2	1	2
Speedglas tube bag	940419	1	1	1
Speedglas welding caps	954410	1	1	1
Speedglas 9100FX Consumables				
9100FX Helmet without headband	541890	1	1	1
9100FX Visor Plate	523000	5	1	5
9100FX Visor Plate Anti Fog	523001	5	1	5
9100FX Front Cover Unit	540500	1	1	1
9100FX Side Windows Cover Plate, 2 pairs	532016	2	1	2
9100FX Head Cover small	169006	1	1	1
9100FX Head Cover large	169007	1	1	1
Magnifying Lenses				
Magnifying Lens 1.0	171020	1	1	1
Magnifying Lens 1.5	171021	1	1	1
Magnifying Lens 2.0	171022	1	1	1
Magnifying Lens 2.5	171023	1	1	1

3M™ Speedglas™ 100 Series

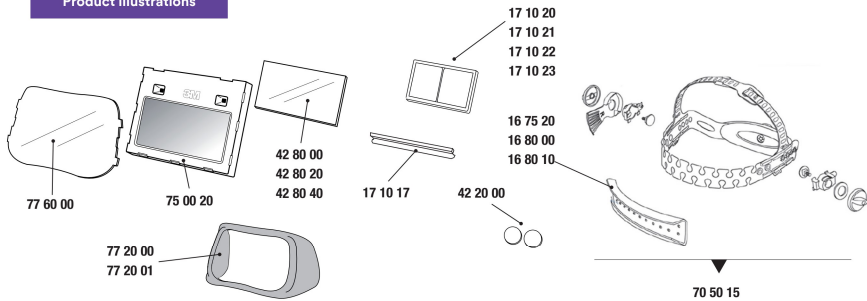
Speedglas 100 Series Welding Helmets	Packaging			
	Part No	Per Box	Boxes Per Case	Per Case
Speedglas 100 Blaze Helmet with Speedglas 100V Auto Darkening Filter Variable 3/8-12	751220	1	1	1
Speedglas 100 Razor Dragon Helmet with Speedglas 100V Auto Darkening Filter Variable 3/8-12	752420	1	1	1
Speedglas 100 Raging Skull Helmet with Speedglas 100V Auto Darkening Filter Variable 3/8-12	752620	1	1	1
Speedglas 100 Ice Hot Helmet with Speedglas 100V Auto Darkening Filter Variable 3/8-12	752520	1	1	1
Speedglas 100 Xterminator Helmet with Speedglas 100V Auto Darkening Filter Variable 3/8-12	752220	1	1	1
Speedglas 100 Future Combat Helmet with Speedglas 100V Auto Darkening Filter Variable 3/8-12	752720			
Speedglas 100 Trojan Warrior Helmet with Speedglas 100V Auto Darkening Filter Variable 3/8-12	751620	1	1	1
Speedglas 100 Black Helmet with Speedglas 100V Auto Darkening Filter Variable 3/8-12	751120	1	1	1
Speedglas 100 Hard Hat with Speedglas 100V Auto Darkening Filter Variable 3/8-12	783120	1	1	1
Speedglas 100 Aces High Helmet with Speedglas 100V Auto Darkening Filter Variable 3/8-12	751720	1	1	1
Speedglas 100 Steel Rose Helmet with Speedglas 100V Auto Darkening Filter Variable 3/8-12	751820	1	1	1
Speedglas 100 Skull Jewels Helmet with Speedglas 100V Auto Darkening Filter Variable 3/8-12	751920	1	1	1
Speedglas 100 Wild'n'Pink Helmet with Speedglas 100V Auto Darkening Filter Variable 3/8-12	752020	1	1	1
Speedglas 100 Steel Eyes Helmet with Speedglas 100V Auto Darkening Filter Variable 3/8-12	752120	1	1	1



3M™ Speedglas™ 100 Series

Speedglas 100 Series Spares, Accessories and Consumables	Packaging			
	Part No	Per Box	Boxes Per Case	Per Case
Speedglas 100V Auto Darkening Filter Variable 3/8-12	750020	1	1	1
Speedglas 100 Outer protection plate standard	776000	10	10	100
Inner protection plate (Also available in a mini pack case of 150 packs. See page 29.)	428000	5	5	25
Inner protection plate, +1 shade	428020	5	1	5
Inner protection plate, +2 shade	428040	5	1	5
Speedglas 100 Silver front frame	772000	1	1	1
Speedglas 100 Black front frame	772001	1	1	1
Speedglas 100 holder for magnifier	171017	1	1	1
Sweatband, towelling purple (Also available as a mini pack case of 150 packs. See page 29.)	167520	2	1	2
Sweatband, leather	168000	1	1	1
Sweatband, fleecy cotton	168010	1	1	1
Magnifying lens 1.0	171020	1	1	1
Magnifying lens 2.0	171021	1	1	1
Magnifying lens 2.5	171022	1	1	1
Magnifying lens 2.5	171023	1	1	1
Battery for Speedglas Auto-Darkening Filters	422000	2	1	2
Headband including assembly parts	705015	1	1	1
Speedyloop for Speedglas 100 helmets with hard hat assembly	197137	1	1	1
G3000 Safety helmet white	G3001NUV-VI	20	1	20

Product illustrations

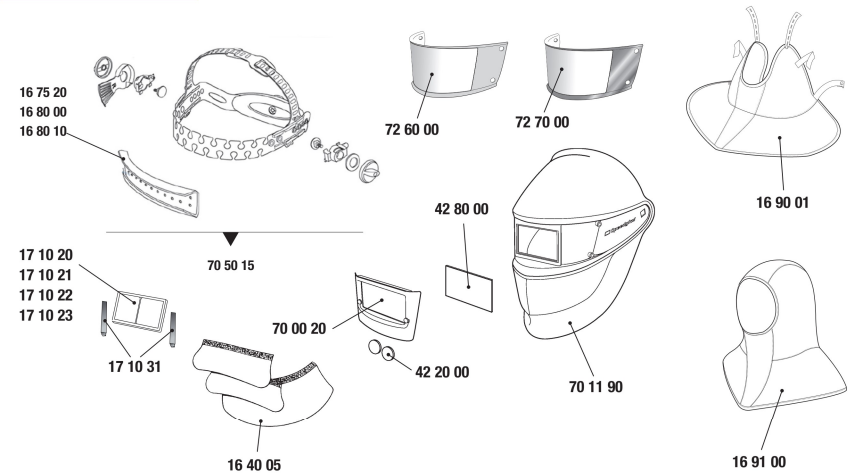


3M™ Speedglas™ SL Super Light Welding Helmet



Speedglas SL Welding Helmet	Packaging			
	Part No	Per Box	Boxes Per Case	Per Case
Speedglas SL Helmet with Auto Darkening Filter Variable 8-12	701120	1	1	1
Speedglas SL Auto Darkening Filter Variable 8-12	700020	1	8	8

Product illustrations



3M™ Speedglas™ SL Super Light Welding Helmet

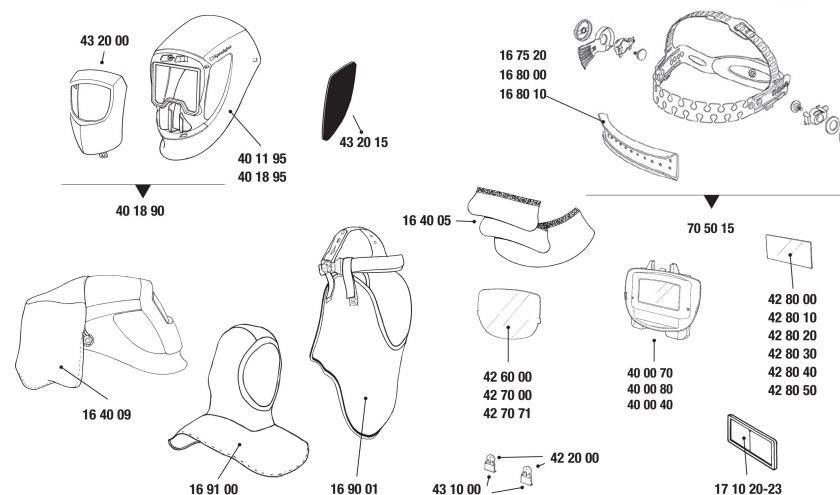
Speedglas SL Protection Plates	Packaging			
	Part No	Per Box	Boxes Per Case	Per Case
Speedglas SL Outer protection plate standard	726000	5	1	5
Speedglas SL Outer protection plate scratch resistant	727000	5	1	5
Speedglas Inner Protection Plate (Also available as a mini pack case of 150 packs. See page 29.)	428000	5	5	25
Other Speedglas SL Spares and Consumables				
Speedglas SL Helmet without headband	701190	1	1	1
Speedglas SL Headband incl. assem. parts	705015	1	1	1
Welding filter battery holder	731000	1	1	1
Ear and neck protection in leather (3 parts)	164005	1	1	1
Sweatband, towelling (Also available as a mini pack case of 150 packs. See page 29.)	167520	2	1	2
Sweatband, leather	168000	1	1	1
Sweatband, fleecy cotton	168010	1	1	1
Throat/Neck Cover	169001	1	1	1
Welding Hood (throat/head coverage)	169100	1	1	1
Magnifying lens 1.0	171020	1	1	1
Magnifying lens 1.5	171021	1	1	1
Magnifying lens 2.0	171022	1	1	1
Magnifying lens 2.5	171023	1	1	1
Holder for magnifier	171031	1	50	50
Battery for Speedglas Auto-Darkening Filters	422000	2	1	2

3M™ Speedglas™ 9000 Series Headtops

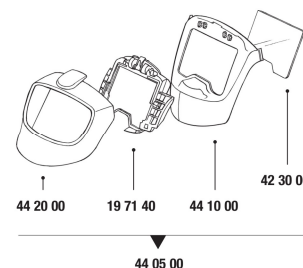


Product illustrations

Accessories and Spare Parts for all Speedglas 9000 Welding Helmets



Accessories and Spare Parts for Speedglas 9000 FlexView



3M™ Speedglas™ 9000 Series

Speedglas 9000 Outer Protection Plates	Packaging			
	Part No	Per Box	Boxes Per Case	Per Case
Outer protection plate standard marked 42 01 50 (Also available as a mini pack case of 20 packs. See page 29.)	426000	10	10	100
Outer protection plate scratch resistant marked 42 01 00 marked 42 01 00	427000	10	1	10
Outer protection plate heat resistant	427071	10	10	100
Speedglas 9000 Inner Protection Plates				
Inner protection plate (42x91mm) Speedglas 9002D/9002V marked 42 02 00 (Also available as a mini pack case of 150 packs. See Page 29)	428000	5	5	25
Inner protection plate+1 shade number Speedglas 9002D/9002V	428020	5	1	5
Inner protection plate+2 shade number Speedglas 9002D/9002V	428040	5	1	5
Speedglas 9000 Accessories				
Ear and throat protection in leather (3 parts)	164005	1	1	1
Head cover, Large	164009	1	1	1
Throat/Neck Cover	169001	1	1	1
Welding Hood (throat/head coverage)	169100	1	1	1
Speedglas 9000 Magnifying Lenses				
Magnifying Lens 1.0	171020	1	1	1
Magnifying Lens 1.5	171021	1	1	1
Magnifying Lens 2.0	171022	1	1	1
Magnifying Lens 2.5	171023	1	1	1
Speedglas 9000 Sweatbands				
Sweatband towelling (Also available as a mini pack case of 150 packs. See page 29.)	167520	2	1	2
Sweatband in leather	168000	1	1	1
Sweatband fleece	168010	1	1	1
Speedglas 9000 Batteries				
Battery for Speedglas Auto-Darkening Filters (Also available as a mini pack case of 150 packs. See page 29.)	422000	2	1	2
Battery cover	431000	2	1	2
Speedglas 9000 Other Items				
Headband including assembly parts	705015	1	1	1
Mounting details for headband	166020	3	1	3
9000 Helmet (with SW) without headband	401890	1	1	1
9000 Silver front cover	432000	1	1	1
Speedglas tube bag	940419	1	1	1
Speedglas welding caps	954410	1	1	1
Additional spares for Speedglas FlexView Welding Helmet				
Welding filter holder	197140	1	20	20
Protection plate 120x90mm	423000	1	20	20
Speedglas FlexView conversion kit	440500	1	1	1
FlexView front, black	441000	1	1	1
9000 Silver front cover	442000	1	1	1
Conventional glass lens holder - shade 11	443000	1	1	1

3M™ 10V Welding Helmet

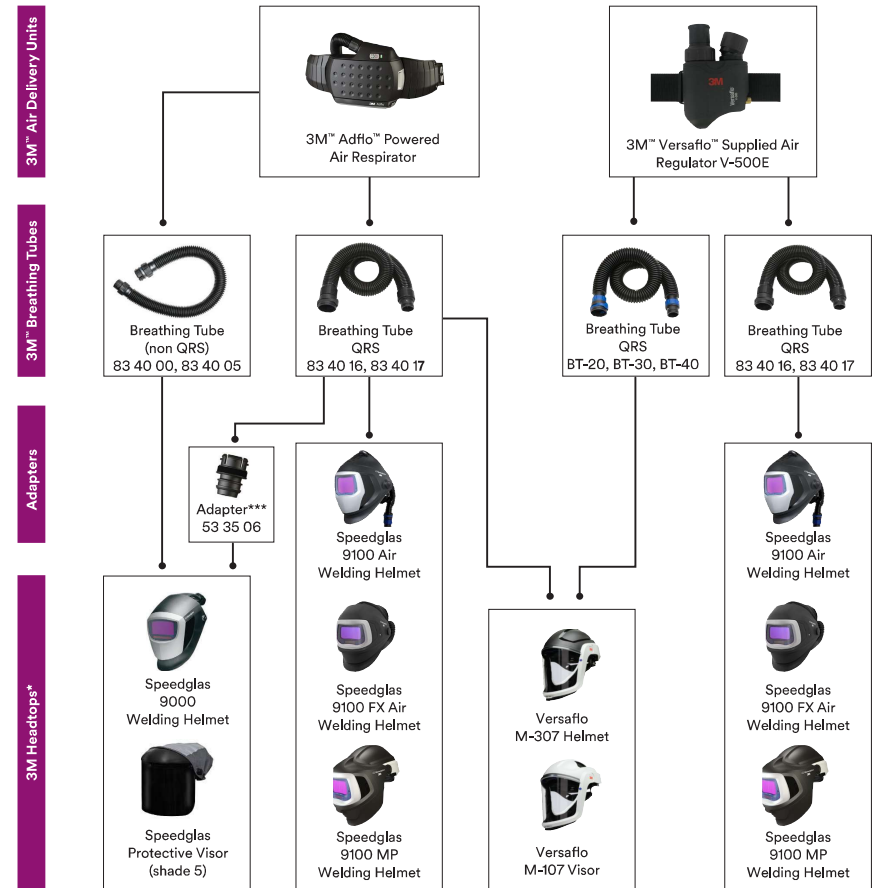


10V Welding Helmet	Packaging			
	Part No	Per Box	Boxes Per Case	Per Case
10V Welding Helmet	101101	1	1	1
10V Auto Darkening Filter (3/10-12)	100003	1	1	1
Spares, Accessories & Consumables				
10V Sweatband	167410	10	1	10
10V Outer protection plate	126000	6	1	6
10V Welding helmet shell	101195	1	1	1
10V Headband	165005	1	1	1
10V Headband with assembly parts	166020	3	1	3
Inner protection plate marked 420200 (Also available as a mini pack case of 150 packs. See page 29.)	428000	5	5	25
Battery for Speedglas Auto-Darkening Filters (Also available as a mini pack case of 150 packs. See page 29.)	422000	2	1	2
Welding filter battery holder	731000	1	1	1



3M Powered & Supplied Air Respirators

Compatibility of 3M Air Delivery Units and Headtops



* The Speedglas welding helmet series 9100 replaces most of the Speedglas welding helmet series 9000. Accessories and spare parts for the 9000 helmets will be available for 3-5 years.
 ** The protection class of Speedglas welding helmet 9100 FX Air is reduced to TH2 when the adapter (53 35 05) is used.
 *** When you buy a new complete respirator or regulator with the new QRS breathing tube, it includes the adapter 53 05 06, needed for connecting the Speedglas welding helmet series 9000 and Speedglas visors to the new type of breathing tube.

3M™ Adflo™ Powered Air Respirator System

with 3M™ Speedglas™ 9100 Air and 9100FX Air Welding Helmets



3M™ Speedglas™ 9100 Air and 9100FX Air Headtops For Respiratory Protection



Speedglas/Adflo Systems with Welding Filter	Packaging			
	Part No	Per Box	Boxes Per Case	Per Case
Speedglas 9100 Air Welding Helmet with 9100V ADF and Adflo Powered Air Respirator	567705	1	1	1
Speedglas 9100 Air Welding Helmet with 9100X ADF and Adflo Powered Air Respirator	567715	1	1	1
Speedglas 9100 Air Welding Helmet with 9100XX ADF and Adflo Powered Air Respirator	567725	1	1	1
Speedglas 9100 FX Air Welding Helmet with 9100V ADF and Adflo Powered Air Respirator	547705	1	1	1
Speedglas 9100 FX Air Welding Helmet with 9100X ADF and Adflo Powered Air Respirator	547715	1	1	1
Speedglas 9100 FX Air Welding Helmet with 9100XX ADF and Adflo Powered Air Respirator	547725	1	1	1
Speedglas 9100 Air & 9100 FX Air Upgrade Kits				
Upgrade your welding helmet - simply combine with your existing Adflo Powered Air Respirator (kit includes ADF, 834016 Breathing Tube & 790101 Carry Bag)				
Speedglas 9100FX Air Upgrade Kit with Speedglas 9100V Auto-Darkening Filter (incl. 9100FX Air Welding Helmet, ADF, 834016 Breathing Tube & 790101 Carry Bag)	549005	1	1	1
Speedglas 9100FX Air Upgrade Kit with Speedglas 9100X Auto-Darkening Filter (incl. 9100FX Air Welding Helmet, ADF, 834016 Breathing Tube & 790101 Carry Bag)	549015	1	1	1
Speedglas 9100FX Air Upgrade Kit with Speedglas 9100XX Auto-Darkening Filter (incl. 9100FX Air Welding Helmet, ADF, 834016 Breathing Tube & 790101 Carry Bag)	549025	1	1	1
Speedglas 9100 Air Upgrade Kit with Speedglas 9100V Auto-Darkening Filter (incl. 9100 Air Welding Helmet, ADF, 834016 Breathing Tube & 790101 Carry Bag)	569005	1	1	1
Speedglas 9100 Air Upgrade Kit with Speedglas 9100X Auto-Darkening Filter (incl. 9100 Air Welding Helmet, ADF, 834016 Breathing Tube & 790101 Carry Bag)	569015	1	1	1
Speedglas 9100 Air Upgrade Kit with Speedglas 9100XX Auto-Darkening Filter (incl. 9100 Air Welding Helmet, ADF, 834016 Breathing Tube & 790101 Carry Bag)	569025	1	1	1
Speedglas/Adflo Systems without Welding Filter				
Speedglas Helmet 9100 Air with Adflo Powered Respirator	567700	1	1	1
Speedglas Helmet 9100 FX Air with Adflo Powered Respirator	547700	1	1	1
*Combine with choice of auto-darkening filter from:				
Speedglas 9100 Auto-Darkening Filters (ADFs)				
Speedglas 9100V filter shade 5, 8, 9-13	500005	1	1	1
Speedglas 9100X filter shade 5, 8, 9-13	500015	1	1	1
Speedglas 9100XX filter shade 5, 8, 9-13	500025	1	1	1

Speedglas 9100 Air and 9100FX Air Headtops*	Packaging			
	Part No	Per Box	Boxes Per Case	Per Case
Speedglas 9100 Air welding headtop for respiratory protection	562800	1	1	1
Speedglas 9100FX Air welding headtop for respiratory protection	542800	1	1	1
*Combine with choice of auto-darkening filter from:				
Speedglas 9100 Auto-Darkening Filters (ADFs)				
Speedglas 9100V filter shade 5, 8, 9-13	500005	1	1	1
Speedglas 9100X filter shade 5, 8, 9-13	500015	1	1	1
Speedglas 9100XX filter shade 5, 8, 9-13	500025	1	1	1
Spares for 9100FX Air Headtop				
9100 FX Air Face Seal	534000	1	1	1
9100 FX Visor plate	523000	5	1	5
9100 FX Visor plate Anti Fog	523001	5	1	5
9100 FX Air duct assembly	533500	1	1	1
9100 FX Front cover kit	540500	1	1	1
9100 FX SideWindow Cover plate, 2 pairs	532016	2	1	2
9100 FX head cover small	169006	1	1	1
9100 FX head cover large	169007	1	1	1
Air Deflector	535000	1	1	1
Spares for 9100 Air Headtop				
9100 Air Face Seal	534100	1	1	1
9100 Air Welding Helmets without headband, Face Seal and air-duct	560890	1	1	1
Back part Air Duct	533700	1	1	1

3M™ Speedglas™ 9100 Air and 9100FX Air



3M™ Speedglas™ 9100 MP Welding & Safety Helmet

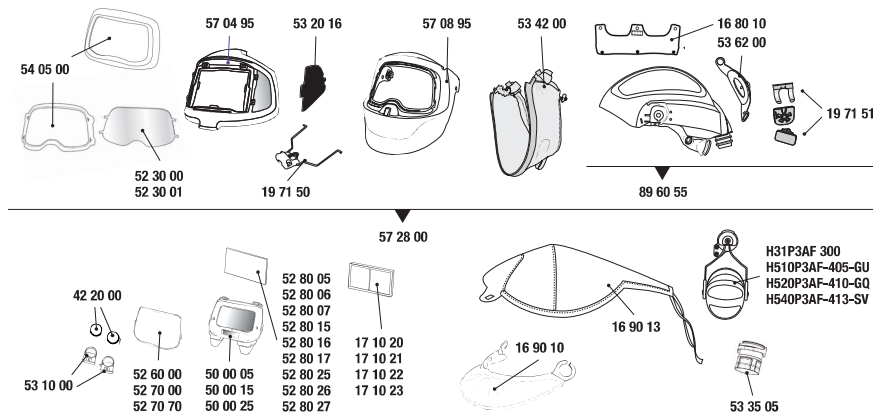
Multi-Protection Respirator System for
Welders Head, Eye and Face



Speedglas 9100 Outer Protection Plates	Packaging			
	Part No	Per Box	Boxes Per Case	Per Case
Speedglas Outer protection plate standard (Also available as a mini pack case of 20 packs. See page 29.)	526000	10	5	50
Speedglas Outer protection plate scratch resistant	527000	10	1	10
Speedglas Outer protection plate heat resistant	527070	10	1	10
Speedglas 9100 Inner Protection Plates				
Speedglas 9100V Inner protection plate (Also available as a mini pack case of 30 packs. See page 29.)	528005	5	1	5
Speedglas 9100X Inner protection plate (Also available as a mini pack case of 30 packs. See page 29.)	528015	5	1	5
Speedglas 9100XX Inner protection plate (Also available as a mini pack case of 30 packs. See page 29.)	528025	5	1	5
Inner Coverplate, +1 shade for 9100V welding filter	528006	3	1	3
Inner Coverplate, +2 shade for 9100V welding filter	528007	3	1	3
Inner Coverplate, +1 shade for 9100X welding filter	528016	3	1	3
Inner Coverplate, +2 shade for 9100X welding filter	528017	3	1	3
Inner Coverplate, +1 shade for 9100XX welding filter	528026	3	1	3
Inner Coverplate, +2 shade for 9100XX welding filter	528027	3	1	3
Speedglas 9100 Sweatbands				
Speedglas 9100 Sweatband	168015	3	1	3
Speedglas 9100 Head, Ear and Throat Protection				
9100 Air Extended head protector	169005	1	1	1
9100 Air and 9100 FX Air Extended throat and ear protector	169010	1	1	1
Welding Hood (throat/head coverage)	169100	1	1	1
9100 FX Air head cover small	169006	1	1	1
9100 FX Air head cover large	169007	1	1	1
Speedglas 9100 Other Items				
9100 FX Air Welding Helmet without headband, Face Seal and air-duct	541890	1	1	1
9100 Air Welding Helmet without headband, Face Seal and air-duct	560890	1	1	1
9100 FX Air Face Seal	534000	1	1	1
9100 Air Face Seal	534100	1	1	1
9100 FX Visor plate	523000	5	1	5
9100 FX Visor plate Anti Fog	523001	5	1	5
9100 FX Air duct assembly	533500	1	1	1
9100 FX Front cover kit	540500	1	1	1
9100 FX SideWindow Cover plate, 2 pairs	532016	2	1	2
Air Deflector for 9100 FX Air Welding Helmet	535000	1	1	1
Back part Air Duct for 9100 Air Welding Helmet	533700	1	1	1
9100 Headband, complete	533000	1	1	1
9100 Headband pivot mechanism, both sides	536000	1	1	1
9100 Headband front part	536100	1	1	1
9100 Headband back part	536200	1	1	1
9100 Battery holder	531000	2	1	2
Battery for Speedglas Auto-Darkening Filters (Also available as a mini pack case of 150 packs. See page 29.)	422000	2	1	2
Accessories				
Adaptor for 9100 FX Air and 9100 Air Helmets with Old Breathing tube	533505	1	1	1
Adaptor for 9000 Welding Helmets with QRS Breathing tubes	533506	1	1	1
9100 with Adflo Carry bag	790101	1	1	1

Speedglas/Adflo Systems with Welding Filter	Packaging			
	Part No	Per Box	Boxes Per Case	Per Case
Speedglas 9100 MP Welding & Safety Helmet with 9100V Welding Filter and Adflo	577705	1	1	1
Speedglas 9100 MP Welding & Safety Helmet with 9100X Welding Filter and Adflo	577715	1	1	1
Speedglas 9100 MP Welding & Safety Helmet with 9100XX Welding Filter and Adflo	577725	1	1	1
Speedglas/Adflo Systems without Welding Filter*				
Speedglas 9100 MP Welding & Safety Helmet and Adflo without welding filter	577700	1	1	1
Speedglas 9100 MP Welding & Safety Helmet without Welding Filter*				
Speedglas 9100 MP Welding & Safety Helmet without welding filter	572800	1	1	1
*Combine with choice of 3M™ Speedglas™ 9100 Auto-Darkening Filters (ADFs) – see page 20				
Consumables				
9100 MP Face Seal	534200	1	1	1
Spare Parts				
9100 MP Pivot kit	197151	1	1	1
9100 MP Flip-up mechanism	197150	1	1	1
9100 MP Inner helmet front	570895	1	1	1
9101 MP Outer helmet front	570495	1	1	1
9100 MP Safety helmet	896055	1	1	1
Accessories				
9100 MP Safety helmet cover	169013	1	1	1
3M™ PELTOR™ H31 Ear Muff for Speedglas 9100 MP Welding & Safety Helmet	H31P3AF300	1	6	6
3M™ PELTOR™ Optime™ I Helmet Attachment for Speedglas 9100 MP Welding & Safety Helmet	H510P3AF-405-GU	6	1	6
PELTOR Optime II Helmet Attachment for Speedglas 9100 MP Welding & Safety Helmet	H520P3-AF-410-GQ	6	1	6
PELTOR Optime III Helmet Attachment for Speedglas 9100 MP Welding & Safety Helmet	H540P3AF-413-SV	6	1	6

Product illustrations



3M™ Adflo™ Turbo Units for Respiratory Protection



Adflo Turbo Units	Packaging			
	Part No	Per Box	Boxes Per Case	Per Case
Adflo unit with air hose, air flow indicator, belt, spark arrester, prefilter, particle filter, battery and battery charger	837730	1	1	1
Adflo unit with air hose, air flow indicator, belt, spark arrester, prefilter, particle filter, heavy duty battery and battery charger	837731	1	1	1
Adflo unit with air hose, air flow indicator, prefilter, spark arrester, particle filter and battery	837710	1	1	1
Adflo unit only, without filter, filter cover, battery, charger or belt.	832000	1	1	1
Combine with a Speedglas Respirator Headtop for a Respiratory Protection system				
Adflo Air Hoses				
Air hose, length adjusting QRS	834016	1	1	1
Air hose, heavy-duty rubber QRS	834017	1	1	1
Air hose, noise reducing	834008	1	1	1
Air hose cover, flame resistant	834018	1	1	1
Adflo Filters				
Prefilter (Also available as a mini pack case of 100 packs. See page 29.)	836010	5	10	50
Particle filter (P) (Also available as a mini pack case of 20 filters. See page 29.)	837010	5	10	50
Odour filter holder and pad	837110	1	1	1
Replacement odour filter pad	837120	1	1	1
Gas filter A1B1E1	837242	1	1	1
Adflo Gas filter kit, A1B1E1 filter and Heavy-Duty Li-ion battery	837301	1	1	1
Gas filter A2	837542	1	1	1
Air flow indicator	838020	1	1	1
Black Filter cover	838031	1	1	1
Spark arrester	836000	10	1	10
Adflo Batteries/Chargers				
Li-ion Adflo battery (standard)	837630	1	20	20
Li-ion Adflo battery (heavy-duty)	837631	1	1	1
Li-ion battery charger for 837630 and 837631	833111	1	1	1
Li-ion and NiMH Battery Charger Holder*	833708	1	1	1
Li-ion battery upgrade kit: Standard Li-ion Adflo battery, Li-ion battery charger, P-filter and pre-filter	837635	1	1	1
Other				
Adflo Backpack	806020	1	1	1
Belt	835000	1	1	1
Belt Extension	835005	1	1	1
Storage bag	837000	1	1	1
Speedglas travel bag	940420	1	1	1
Speedglas welding caps	954410	1	1	1

*833708 allows customers to mix & match NiMH and Li-ion chargers, but up to 6 Single-Station chargers must be purchased separately.

Modular 3M Headtops for the 3M™ Adflo™ Powered Air Respirator



Choose Headtop option and combine with Adflo Turbo Unit. See page 23	Packaging			
	Part No	Per Box	Boxes Per Case	Per Case
ClearVisor with Face Shield shade DIN5*	899035	1	1	1
M-107 Respiratory Protective Face Shield, with Coated Visor and Flame Resistant Face Seal	M-107	1	1	1
M-307 Respiratory Protective Helmet, with Coated Visor and Flame Resistant Face Seal	M-307	1	1	1
HT-639 Welding Visor Headtop*	HT-639	1	1	1
Air hose, noise reducing for M-Series/HT-639 Headtops and Adflo Turbo Unit	834008	1	1	1
*Combine with a Speedglas™ 100V Auto Darkening Filter. See page 11.				
HT-639 must be used with noise reducing breathing tube 834008				
Spare Parts and Accessories for ClearVisor				
Headband with air duct	803010	1	1	1
Headband without air duct	803060	1	1	1
Face Seal	804005	1	1	1
Velcro attachment system	891013	2	1	2
ClearVisor, polycarbonate (excl. brow protection)	899040	1	1	1
ClearVisor, acetate (excl. brow protection)	899041	1	1	1
Visor shade DIN5 (excl. brow protection)	899045	1	1	1
ClearVisor browguard	899051	1	1	1
Protection film	899060	1	1	1
Air hose with nipple, silencer and fastening details	853056	1	1	1
Spare Parts and Accessories for M-Series				
3M™ VersaFlo™ M-116 Replacement Airflow Deflector, for use with M-107 Face Shields	M-116	1	1	1
VersaFlo M-150 Replacement Head Suspension, for use with M-107 Face Shields	M-150	1	1	1
VersaFlo M-154 Replacement Forehead Seal, for use with M-107 Series Face Shields	M-154	1	1	1
VersaFlo M-316 Replacement Airflow Deflector, for use with M-307 Helmet	M-316	1	1	1
VersaFlo M-350 Replacement Head Suspension, for use with M-307 Helmet	M-350	1	1	1
VersaFlo M-354 Replacement Forehead Seal, for use with M-307 Helmet	M-354	1	1	1
VersaFlo M-919 Replacement Visor Frame Buttons	M-919	10	1	10
VersaFlo M-920 Replacement Visor Frame Assembly	M-920	1	1	1
VersaFlo M-921 Replacement Visor Gasket	M-921	5	1	5
VersaFlo M-925 Molten Metal Visor	M-925	5	1	5
VersaFlo M-927 Coated Visor	M-927	5	1	5
VersaFlo M-928 Peel-Off Visor Covers	M-928	10	4	40
VersaFlo M-935 Standard Face Seal	M-935	5	1	5
VersaFlo M-936 Comfort Face Seal	M-936	5	1	5
VersaFlo M-937 Flame Resistant Face Seal	M-937	5	1	5
VersaFlo M-956 Size Reducing Ratchet Comfort Pad	M-956	10	1	10

Modular 3M Headtops

for the 3M™ Adflo™ Powered Air Respirator

Spare Parts and Accessories for M-Series	Part No	Packaging		
		Per Box	Boxes Per Case	Per Case
3M™ VersaFlo™ M-957 Forehead Comfort Pad	M-957	2	10	20
VersaFlo M-958 Chin Strap	M-958	2	1	2
VersaFlo M-960 Replacement Visor Pivot Kit	M-960	1	1	1
VersaFlo M-972 Flame Resistant Headtop Cover, for use with all M-Series Products	M-972	1	1	1
VersaFlo M-976 Head, Neck and Shoulder Cover, for use with M-107 and M-307 Products	M-976	1	1	1
3M™ PELTOR™ H31 Ear Muff	H31P3AF300	1	6	6
PELTOR Optime I Helmet Attachment	H510P3AF-405-GU	6	1	6
PELTOR Optime II Helmet Attachment	H520P3AF-410-GQ	6	1	6
PELTOR Optime III Helmet Attachment	H540P3AF-413-SV	6	1	6
Spare Parts and Accessories for HT-639				
Comfort bands HT-639 Welding Visor Headtop (pair)	CMF-09	5	1	5
Face Seals for HT-639 Welding Visor Headtop	FSL23	1	1	1
Air duct Harness Assembly for HT-639 Welding Visor Headtop	HNS14	1	1	1
Proban™ welding cape for HT-639 Welding Visor Headtop	WLD12	1	1	1
Lens retainer spring for HT-639 Welding Visor Headtop	WLD13	1	1	1
90 x 110 outer cover lens for HT-639 Welding Visor Headtop	WLN13	25	1	25
90 x 110 Inner grinding lens for HT-639 Welding Visor Headtop	WLN20	15	1	15

3M™ VersaFlo™ V-500 Supplied Air Regulator

with 3M™ Speedglas™ 9100 Welding Helmets



Speedglas 9100/Supplied Air Systems with Welding Filter	Part No	Packaging		
		Per Box	Boxes Per Case	Per Case
Speedglas 9100FX Air Welding Helmet with 9100V ADF and V-500E Regulator	548805	1	1	1
Speedglas 9100FX Air Welding Helmet with 9100X ADF and V-500E Regulator	548815	1	1	1
Speedglas 9100FX Air Welding Helmet with 9100XX ADF and V-500E Regulator	548825	1	1	1
Speedglas 9100 MP Welding & Safety Helmet with 9100V Welding Filter and V-500E Regulator	578805	1	1	1
Speedglas 9100 MP Welding & Safety Helmet with 9100X Welding Filter and V-500E Regulator	578815	1	1	1
Speedglas 9100 MP Welding & Safety Helmet with 9100XX Welding Filter and V-500E Regulator	578825	1	1	1
Speedglas/Supplied Air Systems without Welding Filter				
Speedglas 9100FX Air Welding Helmet with V-500E Regulator	548800	1	1	1
Speedglas 9100 MP Welding & Safety Helmet with V-500E Regulator	578800	1	1	1
*Combine with choice of auto-darkening filter from:				
Speedglas 9100 Auto-Darkening Filters (ADFs)				
Speedglas 9100V filter shade 5, 8, 9-13	500005	1	1	1
Speedglas 9100X filter shade 5, 8, 9-13	500015	1	1	1
Speedglas 9100XX filter shade 5, 8, 9-13	500025	1	1	1

3M™ VersaFlo™ V-500 Supplied Air Regulator

with Modular 3M™ Headtops



M-Series and HT-639/V-500 Systems	Part No	Packaging		
		Per Box	Boxes Per Case	Per Case
Choose Headtop option and combine with V-500 Regulator (P.28).				
M-107 Respiratory Protective Face Shield, with Coated Visor and Flame Resistant Face Seal	M-107	1	1	1
M-307 Respiratory Protective Helmet, with Coated Visor and Flame Resistant Face Seal	M-307	1	1	1
HT-639 Welding Visor Headtop*	HT-639	1	1	1
*Combine with a Speedglas™ 100V Auto Darkening Filter. See page 11				
Breathing Tubes				
BT-20L Breathing Tube for M-Series/HT-639 Headtops and V-500E Regulator	BT-20L	1	1	1
BT-20S Breathing Tube for M-Series/HT-639 Headtops and V-500E Regulator	BT-20S	1	1	1
BT-30 Length Adjusting Breathing Tube for M-Series/HT-639 Headtops and V-500E Regulator	BT-30	1	1	1
BT-40 Heavy Duty Rubber Breathing Tube for M-Series/HT-639 Headtops and V-500E Regulator	BT-40	1	1	1
Spare Parts and Accessories for M-Series and HT-639				
See page 24/25 for details				
V-500 Regulator				
See page 28 for details				
ClearVisor				
ClearVisor with Face Shield shade DIN5**	899135	1	1	1
Headband without air duct	803060	1	1	1
Face Seal	804005	1	1	1
Air hose with nipple, silencer and fastening details	853056	1	1	1
Velcro Face Seal	891013	2	1	2
Protection film	899060	1	1	1
ClearVisor polycarbonate with Face Seal	899140	1	1	1
ClearVisor acetate with Face Seal and air hose	899141	1	1	1
Visor shade DIN5 with Face Seal and air hose	899145	1	1	1
Brow protection	899151	1	1	1

**ClearVisor must be used with Fresh-Air C Regulator (obsolete)

3M™ VersaFlo™ V-500 Regulator

Modular Respiratory Protection Systems



V-500E Supplied Air Regulators	Part No	Packaging		
		Per Box	Boxes Per Case	Per Case
STEP 1 Select your belt unit				
VersaFlo V-500E Regulator with Belt	V-500	1	1	1
Belt Unit Couplings, Compressed Air Supply Tubes and Accessories				
STEP 2 Select your belt unit coupling				
Coupling for belt unit – CEJN '342' - plug, 1/4" BSP male	530-12-53P3	1	3	3
Coupling for belt unit – Rectus '25' - plug, 1/4" BSP male	530-12-52P3	1	3	3
STEP 3 Select your Hose				
10m Standard duty CAST	308-00-30P	1	1	1
30m Standard duty CAST	308-00-31P	1	1	1
7.5m Coiled CAST	308-00-40P	1	1	1
10m Standard duty, anti-static, high temp CAST	308-00-72P	1	1	1
STEP 4 Select your Hose coupling set				
CEJN '342' – socket and plug, 3/8" BSP female	530-12-81P3	1	3	3
Rectus '25' – socket and plug, 3/8" BSP female	530-12-82P3	1	3	3
Cast connector, 3/8" BSP female	530-12-85P3	1	3	3
2-way manifold – 3/8" BSP female – 3/8" BSP male adapters included	312-03-01P3	1	3	3
3-way manifold – 3/8" BSP female – 3/8" BSP male adapters included	312-03-00P3	1	3	3
STEP 5 Select your breathing tube				
Air Hose, length adjusting QRS	834016	1	1	1
Air Hose, heavy-duty rubber QRS	834017	1	1	1
Air Hose Cover, flame resistant	834018	1	1	1
Other Items				
Belt	301-00-62P5	1	5	5
Replacement V-500 filter pack with 'O' Rings	023-05-51P5	1	5	5
3M™ Aircare™ filtration unit - Wall unit	ACU-03	1	1	1
Aircare filtration unit - Floor unit	ACU-04	1	1	1

Mini Pack Options

	Part No	Mini Pack Qty	Packaging		
			Per Box	Boxes Per Case	Per Case
3M™ Speedglas™ 9000 Series outer protection plate standard marked 42 01 50	426000	20 packs of 10 (2 cases)	10	10	100
Speedglas 9000 Series inner protection plate (42x91mm) Speedglas 9002D/9002V marked 42 02 00	428000	150 packs of 5 (1 case)	5	5	25
Speedglas 9000 Series inner protection plate (53x103mm) Speedglas 9002X/9000XF marked 42 02 10	428010	150 packs of 5 (1 case)	5	5	25
Towelling sweatband	167520	150 packs of 2 (1 case)	2	1	2
Battery*	422000	10 packs of 2 (2 cases)	2	1	2
Pre-filter**	836010	100 packs of 5 (10 cases)	5	10	50
Particle filter (P)***	837010	20 filters (2 cases)	5	10	50
Speedglas 9100 Series outer protection plate standard	526000	20 packs of 10 (2 cases)	10	5	50
Speedglas 9100V Inner protection plate	528005	30 packs of 5 (1 case)	5	1	5
Speedglas 9100X Inner protection plate	528015	30 packs of 5 (1 case)	5	1	5
Speedglas 9100XX Inner protection plate	528025	30 packs of 5 (1 case)	5	1	5

* Battery for Auto Darkening Filters.
 ** Pre-filter for 3M™ Adflo™ Powered Air Respirator.
 *** Particulate filter for Adflo Powered Air Respirator.

3M™ Speedglas™ 9000 Series Welding Helmets

Phase Out

Spares for 9000 Series Headtops	Part No	Packaging		
		Per Box	Boxes Per Case	Per Case
Face Seal	434001	5	30	150
Headband with air duct	433000	1	10	10
Air duct	433010	1	1	1
Headband without air duct	433060	1	25	25
Air spreader	435000	1	1	1
Speedglas welding hood with air spreader, Face Seal and outer welding hood	460890	1	1	1
Safety helmet with air duct	896050	1	1	1
Fastening details for Face Seal	896072	1	1	1
Air Hoses				
Air hose, standard	834000	1	1	1
Air hose cover, flame resistant	834018	1	1	1
Air hose, rubber	834005	1	30	30
Speedglas 9002 and 3M™ Adflo™ Accessories				
Accessory Kit for Speedglas 9002 with 3M™ Adflo™ - [168010 sweatband 426000 Outer protection plates 434000 Face Seal 836010 pre-filter 837010 particle filter]	830002	1	30	30

Spares, Accessories and Consumables

for Obsolete Products

3M Outer Protection Plates	Packaging			
	Part No	Per Box	Boxes Per Case	Per Case
3M Outer protection plate standard marked 42 01 50 (Also available as a mini pack case of 20 packs. See page 29.)	426000	10	10	100
Outer protection plate scratch resistant marked 42 01 00*.	427000	10	1	10
Outer protection plate heat resistant	427071	10	10	100
Inner Protection Plates				
Inner protection plate (42x91mm) Speedglas 9002D/9002V marked 42 02 00 (Also available as a mini pack case of 150 packs. See page 29.)	834016	1	1	1
Inner protection plate (53x103mm) Speedglas 9002X/9000XF marked 42 02 10 (Also available as a mini pack case of 150 packs. See page 29.)	834008	1	1	1
Inner protection plate+1 shade number Speedglas 9002D/9002V	428010	5	5	25
Inner protection plate+1 shade number Speedglas 9002X/9000XF	428020	5	1	5
Inner protection plate+2 shade number Speedglas 9002D/9002V	428030	5	1	5
Inner protection plate+2 shade number Speedglas 9002X/9000XF	428040	5	1	5
Inner protection plate+2 shade number Speedglas 9002X/9000XF	428050	5	1	5
Head, Ear and Throat Protection				
Ear and throat protection in leather (3 parts)	164005	1	1	1
Head cover, Large	164009	1	1	1
Throat/Neck Cover	169001	1	1	1
Welding Hood (throat/head coverage)	169100	1	1	1
Magnifying Lenses				
Magnifying Lens 1.0	171020	1	1	1
Magnifying Lens 1.5	171021	1	1	1
Magnifying Lens 2.0	171022	1	1	1
Magnifying Lens 2.5	171023	1	1	1
Sweatbands				
Sweatband towelling (Also available as a mini pack case of 150 packs. See page 29.)	167520	2	1	2
Sweatband in leather	168000	1	1	1
Sweatband fleece	168010	1	1	1
Batteries				
Battery for Speedglas Auto-Darkening Filters (Also available as a mini pack case of 150 packs)	422000	2	1	2
Battery cover	431000	2	1	2
Other Items				
Headband including assembly parts	705015	1	1	1
9000 Helmet (with SW) without headband	401890	1	1	1
Outer welding hood	432000	1	1	1
Spares, Accessories and Consumables for 3M™ Fresh-air C™ Supplied Air Regulator				
Comfort belt	806000	1	1	1
Air hose	853062	1	1	1
Nipple regulator CEJN 342	530-42-53P3	1	3	3
Approved air hose 10m	308-00-30P	1	1	1
Carry/air flow test bag	857000	1	1	1
Spares, Accessories & Consumables for Original 3M™ Adflo™ Turbo Unit				
NiMH Battery charger for Adflo	833101	1	1	1
NiMH Battery, standard	837620	1	1	1
NiMH Battery Heavy-Duty	837621	1	1	1
Adflo Gas filter kit, A1B1E1 filter and Heavy-Duty NiMH battery	837300	1	1	1

Other spares, accessories & consumables (e.g. Filters) are unaffected by the upgrade & are compatible with both original & new versions of Adflo.

3M™ Adflo™ Powered Air Respirator

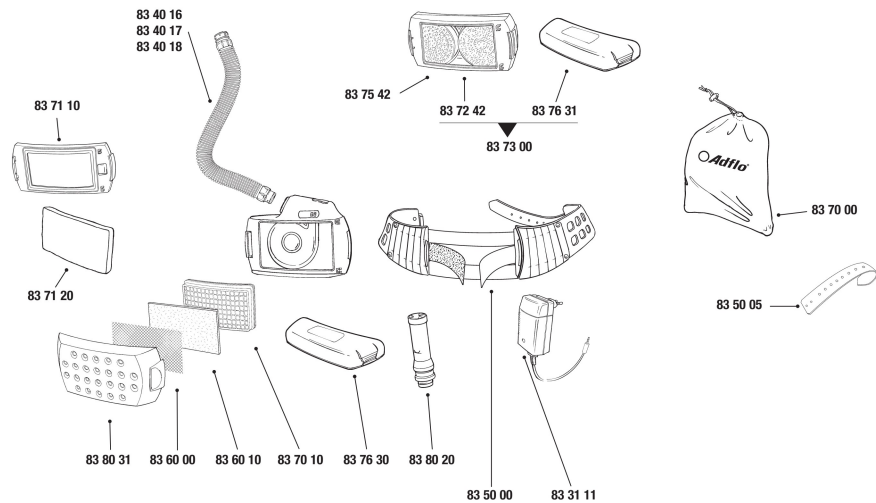
Quick Reference Guide

Product	Original Part No	New Part No
3M™ Speedglas™ 9100 Air Welding Helmets With 3M Adflo Powered Air Respirator		
Speedglas 9100 Air Welding Helmet with Adflo Powered Air Respirator	566600	567700
Speedglas 9100 Air Welding Helmet with Speedglas 9100V Welding Filter and Adflo Powered Air Respirator	566605	567705
Speedglas 9100 Air Welding Helmet with Speedglas 9100X Welding Filter and Adflo Powered Air Respirator	566615	567715
Speedglas 9100 Air Welding Helmet with Speedglas 9100XX Welding Filter and Adflo Powered Air Respirator	566625	567725
Speedglas 9100 Fx Air Welding Helmets With Adflo Powered Air Respirator		
Speedglas 9100 FX Air Welding Helmet with 3M Adflo Powered Air Respirator	546600	547700
Speedglas 9100 FX Air Welding Helmet with Speedglas 9100V Welding Filter and Adflo Powered Air Respirator	546605	547705
Speedglas 9100 FX Air Welding Helmet with Speedglas 9100X Welding Filter and Adflo Powered Air Respirator	546615	547715
Speedglas 9100 FX Air Welding Helmet with Speedglas 9100XX Welding Filter and Adflo Powered Air Respirator	546625	547725
Speedglas 9100 Mp Welding Helmets With Adflo Powered Air Respirator		
Speedglas 9100 MP Welding & Safety Helmet without welding filter and 3M™ Adflo™ Powered Air Respirator	576600	577700
Speedglas 9100 MP Welding & Safety Helmet with Speedglas 9100V Welding Filter and Adflo Powered Air Respirator	576605	577705
Speedglas 9100 MP Welding & Safety Helmet with Speedglas 9100X Welding Filter and Adflo Powered Air Respirator	576615	577715
Speedglas 9100 MP Welding & Safety Helmet with Speedglas 9100XX Welding Filter and Adflo Powered Air Respirator	576625	577725
Adflo Powered Air Respirator		
Adflo Powered air respirator for Speedglas Welding Helmets, without belt and charger	832510	837710
Adflo Powered air respirator system for Speedglas Welding Helmets	832530	837730
Adflo Powered air respirator system with heavy duty battery for Speedglas Welding Helmets	832531	837731

3M™ Adflo™ Powered Air Respirator

Part No.	Description	Part No.	Description	Part No.	Description
83 31 11	Battery charger	83 50 00	Belt	83 72 42	Gas filter A1B1E1
83 40 16	Breathing tube (length adjusting QRS)	83 50 05	Front part, belt	83 73 00	Gas filter kit, A1B1E1 filter and Heavy-Duty battery
83 40 17	Breathing tube, heavy duty QRS	83 60 00	Spark arrestor	83 75 42	Gas filter A2
83 40 18	Breathing tube cover, flame resistant	83 60 10	Prefilter (pck of 5)	83 76 30	Battery (standard)
		83 70 00	Storage bag	83 76 31	Battery Heavy-Duty
		83 70 10	Particle filter P SL	83 80 20	Air flow indicator
		83 71 10	Odour filter holder and pad	83 80 31	Filter cover
		83 71 20	Replacement odour filter pad		

Product illustrations

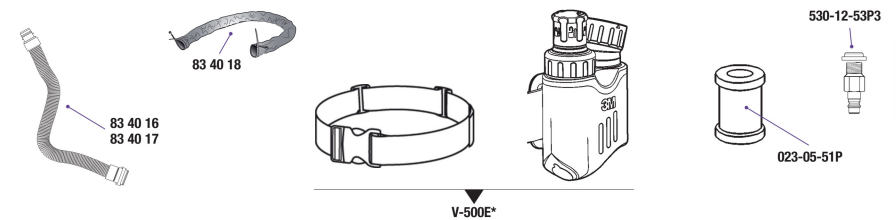


3M™ Versaflor™ V-500 Supplied Air Regulator



Part No.	Description	Part No.	Description
023-05-51P	Carbon filter	83 40 17	Breathing tube, heavy-duty rubber, with QRS connection
530-12-53P3	Belt unit coupling plug - CEJN	83 40 18	Flame resistant breathing tube cover
83 40 16	Breathing tube, self-adjusting (52.5 to 85 cm), with QRS connection		

Product illustrations



* When used with Versaflor M-Series headtops the BT-Series breathing tubes must be used.

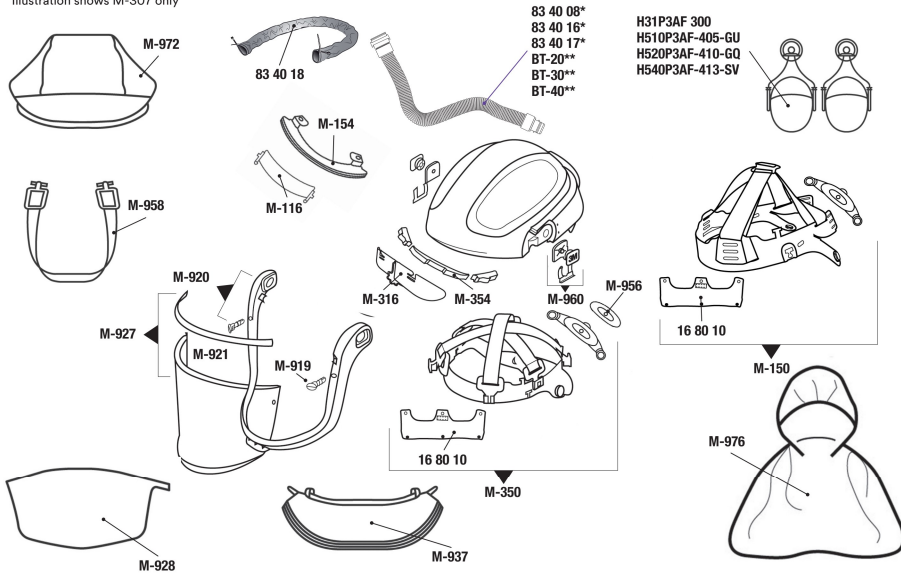
3M™ Versaflor™ M-Series Headtops



Part No.	Description	Part No.	Description	Part No.	Description
16 80 10	Sweatband, fleecy cotton, pkg of 2	M-154	Forehead seal (M-107)	M-960	Pivot kit
83 40 08*	Breathing tube with silencer, non-QRS.	M-316	Airflow deflector (M-307)	M-972	Flame resistant headtop cover
83 40 16*	Breathing tube, self-adjusting (52,5 to 85 cm), with QRS connection.	M-350	Head suspension (M-307)	M-976	Head, neck and shoulder cover
83 40 17*	Breathing tube, heavy-duty rubber, with QRS connection.	M-919	Visor frame buttons	H31P3AF 300	PELTOR H31 Hearing Protector, with helmet attachment.
83 40 18	Flame resistant breathing tube cover.	M-920	Visor frame	H510P3AF 405-GU	PELTOR Optime I Hearing Protector, with helmet attachment.
BT-20 S&L**	Breathing tube, polyurethane (in two lengths), with QRS connection.	M-921	Visor gasket	H520P3AF 410-GQ	PELTOR Optime II Hearing Protector, with helmet attachment.
BT-30**	Breathing tube, self-adjusting (52,5 to 85 cm), with QRS connection.	M-927	Visor coated	H540P3AF 413-SV	PELTOR Optime III Hearing Protector, with helmet attachment.
BT-40**	Breathing tube, heavy-duty rubber, with QRS connection.	M-928	Peel-off visor cover		
M-116	Airflow deflector (M-107)	M-937	Flame resistant Face Seal		
M-150	Head suspension (M-107)	M-956	Ratchet comfort pad		
		M-958	Chin strap		

Product illustrations

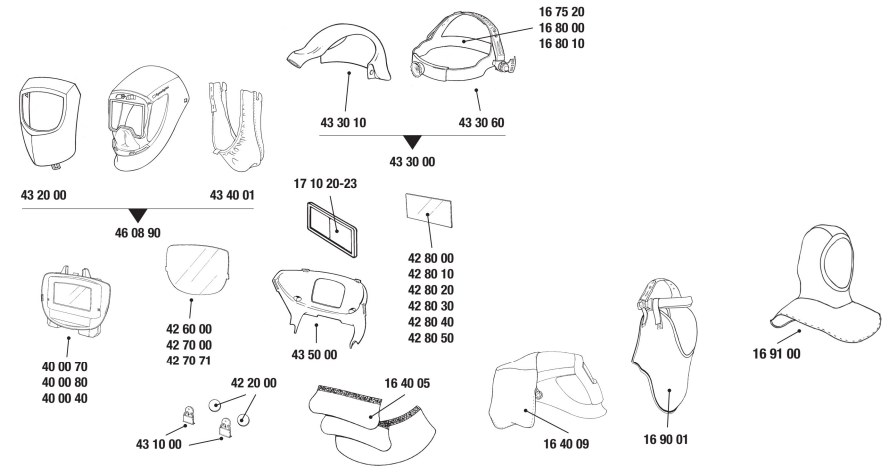
Illustration shows M-307 only



3M™ Speedglas™ 9002 Welding Helmets

Part No.	Description	Part No.	Description	Part No.	Description
16 40 05	Ear and throat protection in leather (3 parts)	42 70 00	Outer protection plate scratch resistant (pck of 10) plate marking 42 01 00	43 10 00	Battery cover (pck of 2)
16 40 09	Head cover, Teca Weld, big	42 70 71	Outer protection plate heat resistant (pck of 10) plate marking 42 01 70	43 20 00	Heat reflecting silver front
16 75 20	Sweatband twelling (2 pcs)	42 80 00	Inner protection plate (42x91 mm) Speedglas 9000F/9002V (pck of 5) plate marking 42 02 00	43 30 00	Headband with air duct
16 80 00	Sweatband in leather	42 80 10	Inner protection plate (53x103 mm) Speedglas 9002X/9000XF (pck of 5) plate marking 42 02 10	43 30 10	Air duct
16 80 10	Sweatband fleece	42 80 20	Inner protection plate +1 Shade number Speedglas 9000F/9002V (pck of 5)	43 30 60	Headband without air duct
16 90 01	Throat cover, Teca Weld	42 80 30	Inner protection plate +1 Shade number Speedglas 9002X/9000XF (pck of 5)	43 40 01	Face Seal
16 91 00	Hood throat/head Teca Weld	42 80 40	Inner protection plate +2 Shade number Speedglas 9000F/9002V (pck of 5)	43 50 00	Air spreader
17 10 20	Magnifying lens 1.0	42 80 50	Inner protection plate +2 Shade number Speedglas 9002X/9000XF (pck of 5)	46 08 90	Speedglas welding helmet with air spreader, Face Seal and heat reflecting silver front
17 10 21	Magnifying lens 1.5				
17 10 22	Magnifying lens 2.0				
17 10 23	Magnifying lens 2.5				
40 00 70	Speedglas 9002V welding filter, variable shade 9-13				
40 00 80	Speedglas 9002X welding filter, variable shade 9-13				
40 00 40	Speedglas 9002D welding filter, dual shade 9/11				
42 20 00	Battery (pck of 2)				
42 60 00	Outer protection plate standard (pck of 10) plate marking 42 01 50				

Product illustrations



* When used with the 3M™ Adflo™ Powered Air Respirator either the 834008, (with 533505 adapter) 834016 or 834017 must be used.
 ** When used with 3M™ Versaflor™ Supplied Air Regulator V-500E, the 3M™ Versaflor™ Breathing Tubes BT-series must be used.

3M™ Speedglas™ 9100 Air Welding Helmet



Part No.	Description	Part No.	Description
16 80 15	Comfort sweatband, pkg of 3.	52 80 05	Inner cover plate for 9100V filter, pkg of 5. Plate marking 117x50.
16 90 05	Head protection, black.	52 80 06	Inner cover plate, +1 shade for 9100V filters, pkg of 3.
16 90 10	Neck protection, black.	52 80 07	Inner cover plate, +2 shade for 9100V filters, pkg of 3.
16 91 00	Hood, black/grey.	52 80 15	Inner cover plate for 9100X filter, pkg of 5. Plate marking 117x61.
17 10 20	Magnifying lens 1.0.	52 80 16	Inner cover plate, +1 shade for 9100X filter, pkg of 3.
17 10 21	Magnifying lens 1.5.	52 80 17	Inner cover plate, +2 shade for 9100X filter, pkg of 3.
17 10 22	Magnifying lens 2.0.	52 80 25	Inner cover plate for 9100XX filter, pkg of 5. Plate marking 117x77.
17 10 23	Magnifying lens 2.5.	52 80 26	Inner cover plate, +1 shade for 9100XX filter, pkg of 3.
42 20 00	Battery, pkg of 2.	52 80 27	Inner cover plate, +2 shade for 9100XX filter, pkg of 3.
50 00 05	Speedglas welding filter 9100V.		
50 00 15	Speedglas welding filter 9100X.		
50 00 25	Speedglas welding filter 9100XX.		
52 60 00	Outer protection plate, standard, pkg of 10.		
52 70 00	Outer protection plate, extra scratch resistant, pkg of 10.		
52 70 70	Outer protection plate, heat resistant pkg of 10.		

Part No.	Description
53 10 00	Battery holder, pkg of 2.
53 20 00	Heat-reflecting silver front.
53 20 15*	Side Windows cover plate, 2 pairs.
53 30 00	Speedglas headband 9100 with assembly parts.
53 35 05	Welding helmet adapter when using old type of breathing tube (non-QRS).
53 37 00	Air duct.
53 41 00	Face Seal.
53 60 00	Pivot mechanism, left and right.
53 61 00	Headband front part.
53 62 00	Headband back part.
56 08 90*	Speedglas welding helmet 9100 Air without headband, without air duct, without Face Seal, without filter.
56 28 00	Speedglas welding helmet 9100 Air, without welding filter.
79 01 01	Product carry bag

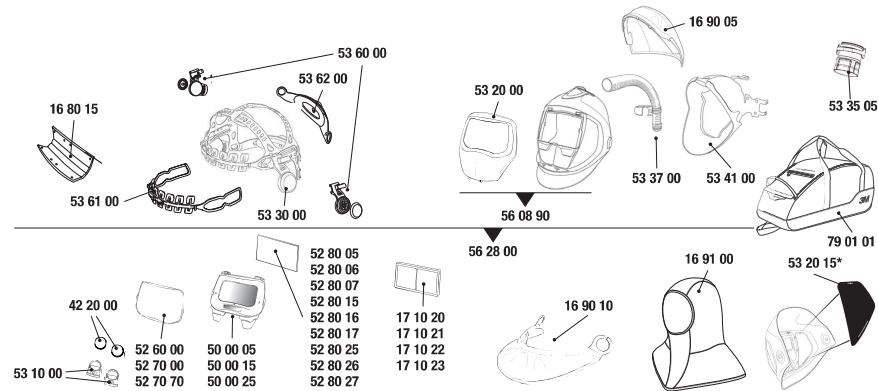
3M™ Speedglas™ 9100 FX Air Welding Helmet



Part No.	Description	Part No.	Description
16 80 15	Comfort sweatband, pkg of 3.	52 70 70	Outer protection plate, heat resistant, pkg of 10.
16 90 06	Head protection, (small).	52 80 05	Inner cover plate for 9100V filter, pkg of 5. Plate marking 117x50.
16 90 07	Head protection, (large).	52 80 06	Inner cover plate, +1 shade for 9100V filters, pkg of 3.
16 90 10	Neck protection, black.	52 80 07	Inner cover plate, +2 shade for 9100V filters, pkg of 3.
16 91 00	Hood, black/grey.	52 80 15	Inner cover plate for 9100X filter, pkg of 5. Plate marking 117x61.
17 10 20	Magnifying lens 1.0.	52 80 16	Inner cover plate, +1 shade for 9100X filter, pkg of 3.
17 10 21	Magnifying lens 1.5.	52 80 17	Inner cover plate, +2 shade for 9100X filter, pkg of 3.
17 10 22	Magnifying lens 2.0.	52 80 25	Inner cover plate for 9100XX filter, pkg of 5. Plate marking 117x77.
17 10 23	Magnifying lens 2.5.	52 80 26	Inner cover plate, +1 shade for 9100XX filter, pkg of 3.
42 20 00	Battery, pkg of 2.	52 80 27	Inner cover plate, +2 shade for 9100XX filter, pkg of 3.
50 00 05	Speedglas welding filter 9100V.		
50 00 15	Speedglas welding filter 9100X.		
50 00 25	Speedglas welding filter 9100XX.		
52 30 00	Visor plate, standard, pkg of 5.		
52 30 01	Visor plate, anti-fog, pkg of 5.		
52 60 00	Outer protection plate, standard, pkg of 10.		
52 70 00	Outer protection plate, extra scratch resistant, pkg of 10.		

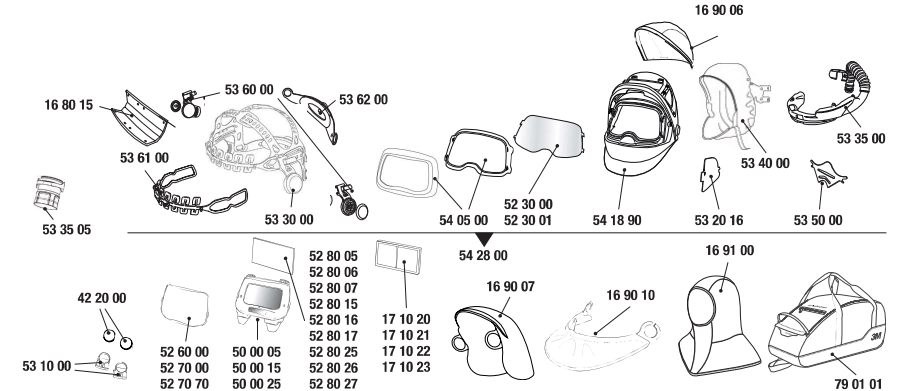
Part No.	Description
53 10 00	Battery holder, pkg of 2.
53 20 16	Side Windows cover plate, 2 pairs.
53 30 00	Speedglas headband 9100, with assembly parts.
53 35 00	Air duct.
53 35 05	Adapter for non-QRS breathing tubes when using Speedglas welding helmet series 9100.
53 40 00	Face Seal.
53 50 00	Air deflector.
53 60 00	Pivot mechanism, left and right.
53 61 00	Headband, front part.
53 62 00	Headband, back part.
54 05 00	Front cover kit.
54 18 90	Speedglas welding helmet 9100 FX Air, without filter, without Face Seal, without air duct, without headband.
54 28 00	Speedglas welding helmet 9100 FX Air, without welding filter, with headband.
79 01 01	Product carry bag

Product illustrations



* Please use Part No 56 08 90 when new Side Windows are required.

Product illustrations

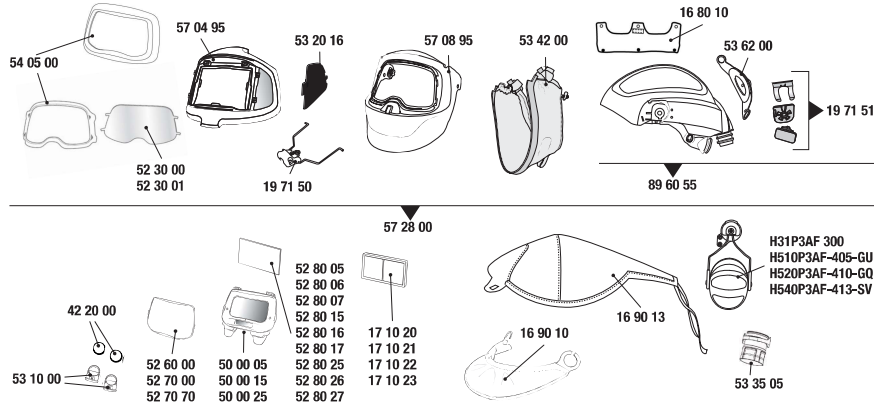


3M™ Speedglas™ 9100 MP Welding & Safety Helmet



Part No.	Description	Part No.	Description	Part No.	Description
16 80 10	Sweatband, fleecy cotton	52 80 06	Inner cover plate, +1 shade for 9100V filters, pkg of 3.	57 04 95	Outer shield
16 90 10	Neck protection, black.	52 80 07	Inner cover plate, +2 shade for 9100V filters, pkg of 3.	57 08 95	Inner helmet
16 90 13	Safety helmet cover 9100 MP	52 80 15	Inner cover plate for 9100XX filter, pkg of 5. Plate marking 117*61.	57 28 00	Speedglas welding and safety helmet 9100 MP, without welding filter.
17 10 20	Magnifying lens 1.0.	52 80 16	Inner cover plate, +1 shade for 9100XX filter, pkg of 3.	89 60 55	Safety helmet incl pivot kit
17 10 21	Magnifying lens 1.5.	52 80 17	Inner cover plate, +2 shade for 9100XX filter, pkg of 3.	M-350	VersaFlo head suspension M-300 (not shown below)
17 10 22	Magnifying lens 2.0.	52 80 25	Inner cover plate for 9100XX filter, pkg of 5. Plate marking 117*77.	H31P3AF300	PELLTOR hearing protector H31, with helmet attachment
17 10 23	Magnifying lens 2.5.	52 80 26	Inner cover plate, +1 shade for 9100XX filter, pkg of 3.	H510P3AF405-GU	PELLTOR hearing protector Optime I, with helmet attachment
19 71 50	Flip-up mechanism	52 80 27	Inner cover plate, +2 shade for 9100XX filter, pkg of 3.	H520P3AF-410-GQ	PELLTOR hearing protector Optime II, with helmet attachment
19 71 51	Pivot kit	53 10 00	Battery holder, pkg of 2.	H540P3AF-413-SV	PELLTOR hearing protector Optime III, with helmet attachment
42 20 00	Battery, pkg of 2.	53 20 16	SideWindow cover plates.		
50 00 05	Speedglas welding filter 9100V.	53 35 05	Welding helmet adapter when using old type of breathing tube (non-QRS).		
50 00 15	Speedglas welding filter 9100X.	53 42 00	Face Seal		
50 00 25	Speedglas welding filter 9100XX.	53 62 00	Headband ratchet		
52 30 00	Visor plate, standard, pkg of 5.	54 05 00	Front cover kit.		
52 30 01	Visor plate, anti-fog, pkg of 5.				
52 60 00	Outer protection plate, standard, pkg of 10.				
52 70 00	Outer protection plate, extra scratch resistant, pkg of 10.				
52 70 70	Outer protection plate, heat resistant pkg of 10.				
52 80 05	Inner cover plate for 9100V filter, pkg of 5. Plate marking 117*50.				

Product Illustrations



**3M Welding
Personal Safety Products**

3M Reusable Respirators



7500 Series - Premium Comfort Half Masks	Part No	Packaging		
		Per Box	Boxes Per Case	Per Case
7501 Soft Silicone Half Mask - small	7501	1	10	10
7502 Soft Silicone Half Mask - medium	7502	1	10	10
7503 Soft Silicone Half Mask - large	7503	1	10	10
6000 Series - Classic Comfort Half Masks				
6100S Half Mask - small	6100	1	8	8
6200M Half Mask - medium	6200	1	8	8
6300L Half Mask - large	6300	1	8	8

3M Filters



Gas and Vapour Filters Class 1	Part No	Packaging		
		Per Box	Boxes Per Case	Per Case
3M™ 6051 Gas and Vapour Filters - A1	6051	4	8	32
6057 Gas and Vapour Filters - ABE1	6057	4	8	32
Gas and Vapour Filters Class 2				
6055 Gas and Vapour Filters - A2	6055	4	8	32
6099 Gas and Vapour Filters - ABEK2P3R (Full Face Masks only)	6099	2	8	16
Particulate Filters				
2128 Particulate Filters - P2 (Nuisance level Organic vapour & Acid gas)	2128	10	4	40
2135 Particulate Filters - P3	2135	10	4	40
2138 Particulate Filters - P3 (Nuisance level Organic vapour & Acid gas)	2138	10	4	40

3M Disposable Respirators



Classic Series Particulate Respirators	Part No	Packaging	
		Per Box	Boxes Per Case
K111 FFP1 Valved Respirator	SAFE0009	10	10
K112 FFP2 Valved Respirator	SAFE0010	10	10
K113 FFP3 Valved Respirator	SAFE0011	10	10

4000 Series Maintenance Free Particulate Respirators	Part No	Packaging	
		Per Box	Boxes Per Case
4251 Respirator FFA1P2R D	SAFE3822	1	10
4255 Respirator FFA2P3R D	SAFE3823	1	10
4277 Gas / Vapour Respirator FFABE1P3R D	SAFE3824	1	10
4279 Gas / Vapour Respirator FFABEK1P3R D	SAFE3825	1	10

- Maintenance free design
- No maintenance records are required if disposed of within one month
- Replace after 28 days or when damaged, breathing resistance increases or breakthrough occurs.
- 2 large bonded carbon filters for low breathing resistance
- Low profile design for better peripheral vision
- Low resistance valve to reduce heat build-up
- Soft/Non-allergenic face piece material
- Lightweight and well balanced design
- Cradle head harness
- Easy to fasten neck strap

8000 Series Particulate Respirators	Part No	Packaging	
		Per Box	Boxes Per Case
8710E Respirator FFP1 NR D	SAFE3807	10	10
8810 Respirator FFP2 NR D	SAFE3808	20	10
8812 Respirator FFP1 NR D	SAFE3809	10	10
8822 Respirator FFP2 NR D	SAFE3810	20	10
8835 Respirator FFP3 R D	SAFE3811	5	10

The 8000 Respirator Series offers solid, professional protection at an affordable price. This range forms part of your basic equipment for many different work environments. The convex cup-shape design, along with twin strap design, nose foam and nose clip ensure comfortable wear over a range of face sizes. The collapse resistant shell offers durable and comfortable protection. Cool Flow™ valve reduces heat build-up to offer comfortable protection, particularly in hot and humid conditions.



3M Disposable Respirators



Flat Fold Particulate Respirators	Part No	Packaging	
		Per Box	Boxes Per Case
9310+ Aura™ Respirator FFP1 NR D	SAFE3812	20	10
9312 Respirator FFP1 NR D	SAFE3813	10	10
9320+ Aura™ Respirator FFP2 NR D	SAFE3814	20	10
9322+ Aura™ Respirator FFP2 NR D	SAFE3815	10	10
9332 + Aura™ Respirator FFP3 NR	SAFE3820	10	10

The advanced three-panel design and low breathing resistance filter technology applied to the 3M™ Aura™ 9300+ Series provides optimum comfort and easy communication, thus ensuring improved wearer acceptance even during long working hours. Being foldable they offer you more convenience than traditional cup shaped respirators. Its features include an embossed and sculpted top panel for improved compatibility with reduced fogging of eyewear and an innovative chin tab to improve the ease of fitting.



Premium Particulate Respirators	Part No	Packaging	
		Per Box	Boxes Per Case
9913 Respirator FFP1	SAFE3821	20	10
9914 Respirator FFP1	SAFE3816	10	10
9922 Respirator FFP2	SAFE3817	10	10
9925 Respirator FFP2	SAFE3818	10	10
9928 Respirator FFP2	SAFE3819	10	10

Speciality Respirators can be used for a wide variety of applications ranging from welding to waste sorting. The speciality range provides lightweight, effective, comfortable and hygienic respiratory protection against dust and mist. It also provides additional relief from low to moderate levels of organic vapours or acid gases such as sulphur dioxide and hydrogen fluoride (depending on the product type.) Within our FFP2 product family you will find our two models of respirator designed specifically with welding in mind; the 3M™ 9925 Welding Fume Respirator and the 3M™ 9928 Welding Fume Respirator.

3M Hearing Protection



1100 Series Disposable Ear Plugs SNR=37dB, H=37dB, M=34dB, L=31dB	3M REF	Part No	Packaging	
			Per Box	Boxes Per Case
1100 Ear Plugs (Pair)	1100	SAFE0005	-	-
1100 Ear Plugs (Box)	1100	SAFE0006	200	10
1110 Corded Ear Plugs (Pair)	1110	SAFE3802	20	10
1110 Corded Ear Plugs (Box)	1110	SAFE3803	100	10

Classic™ Disposable Ear Plugs SNR=36dB, H=36dB, M=33dB, L=29dB	3M REF	Part No	Packaging	
			Per Box	Boxes Per Case
E-A-R Classic Ear Plugs (Pair)	PP-01-002	SAFE3800	-	-
E-A-R Classic Ear Plugs (Box)	PP-01-002	SAFE3801	250	4
E-A-R Classic One Touch Refill Bottle	PD-01-001	SAFE3797	500	1
E-A-R Classic One Touch Dispenser	70071674207	SAFE3796	1	1

E-A-RSoft™ Neon Disposable Ear Plugs SNR=36dB, H=34dB, M=34dB, L=31dB	3M REF	Part No	Packaging	
			Per Box	Boxes Per Case
E-A-RSoft Neon Ear Plugs	ES-01-001	SAFE3745	250	4
E-A-RSoft Neon One Touch Refill Bottle	Pd-01-002	SAFE3746	500	1

Tracer™ Corded Ear Plugs SNR=32dB, H=33dB, M=28dB, L=25dB	3M REF	Part No	Packaging	
			Per Box	Boxes Per Case
Tracer Ear Plug C/W Storage Case	TR-01-000	SAFE3804	1	100

E-A-RCaps™ Banded Ear Plugs SNR=23dB, H=27dB, M=19dB, L=17dB	3M REF	Part No	Packaging	
			Per Box	Boxes Per Case
E-A-RCaps Banded Ear Plugs (Pair)	EC-01-000	SAFE3798	10	5
E-A-RCaps Replacement Pods	ES-01-300	SAFE3799	10	10

Banded Ear Plugs SNR=26dB, H=30dB, M=22dB, L=19dB	3M REF	Part No	Packaging	
			Per Box	Boxes Per Case
1310 Banded Ear Plugs (Pair)	1310	SAFE3805	10	5
1310 Replacement Pods	1311	SAFE3806	20	10



3M Hearing Protection



1426 Hearing Protection SNR=28dB	Part No	Packaging		
		Per Box	Boxes Per Case	Per Case
1426 Ear Defender	SAFE0007	1	10	10



PELTOR Optime I Hearing Protection	3M REF	Part No	Packaging		
			Per Box	Boxes Per Case	Per Case
PELTOR Optime I Ear Defender Headband	H510A	SAFE3747	20	1	20
3M™ PELTOR™ Optime™ I Ear Defender Neckband	H510B	SAFE3748	20	1	20
PELTOR Optime I Ear Defender Folding	H510F	SAFE3749	10	1	10
PELTOR Optime I Ear Defender Helmet Attachment Yellow	H510P3	SAFE3750	20	1	20
PELTOR Optime I Hygiene Kit	HY51	SAFE3751	1	1	1

Attenuation:
Headband: SNR= 27dB, H=32dB, M=25dB, L=15dB
Neckband: SNR= 26dB, H=30dB, M=24dB, L=15dB
Folding: SNR=28dB, H32dB, M=25dB, L=16dB
Helmet Attachment: SNR=26dB, H=32dB, M=23dB, L=15dB



PELTOR Optime II Hearing Protection	3M REF	Part No	Packaging		
			Per Box	Boxes Per Case	Per Case
PELTOR Optime II Ear Defender Headband	H520A	SAFE3752	20	1	20
PELTOR Optime II Ear Defender Neckband	H520B	SAFE3753	20	1	20
PELTOR Optime II Ear Defender Folding	H520F	SAFE3754	10	1	10
PELTOR Optime II Ear Defender Helmet Attachment	H520P3	SAFE3755	20	1	20
PELTOR Optime II Hygiene Kit	HY52	SAFE3756	1	1	1
PELTOR H520P3-AF-410-GQ Optime II Helmet Attachment for Speedglas 9100 MP Welding & Safety Helmet & Versaflo M-307 Headtop	H520P3AF	SAFE3763	6	1	6

Attenuation:
Headband: SNR= 31dB, H=34dB, M=29dB, L=20dB
Neckband: SNR= 31dB, H=34dB, M=29dB, L=20dB
Folding: SNR=31dB, H34dB, M=28dB, L=20dB
Helmet Attachment: SNR=30dB, H=34dB, M=28dB, L=19dB

3M Hearing Protection



PELTOR Optime III Hearing Protection	3M REF	Part No	Packaging		
			Per Box	Boxes Per Case	Per Case
PELTOR Optime III Ear Defender Headband	H540A	SAFE3757	20	1	20
PELTOR Optime III Ear Defender Neckband	H540B	SAFE3758	20	1	20
PELTOR H540P3-AF-413-SV Optime III Helmet Attachment for Speedglas 9100 MP Welding & Safety Helmet & Versaflo M-307 Headtop	H540P3AF	SAFE3759	6	1	6
PELTOR Optime III Hygiene Kit	HY54	SAFE3760	1	1	1

Attenuation:
Headband: SNR= 31dB, H=34dB, M=29dB, L=20dB 35, 40, 32, 23
Neckband: SNR= 31dB, H=34dB, M=29dB, L=20dB 35, 40, 32, 23
Helmet Attachment: SNR=30dB, H=34dB, M=28dB, L=19dB 34, 40, 32, 22



PELTOR X1 Hearing Protection	Part No	Packaging		
		Per Box	Boxes Per Case	Per Case
PELTOR X1 Ear Defender Headband	X1A	1	10	10
PELTOR X1 Ear Defender Helmet Attachment	X1P3	1	10	10



PELTOR Hearing Protection	Part No	Packaging		
		Per Box	Boxes Per Case	Per Case
PELTOR H31 Ear Muff for Speedglas 9100 MP Welding & Safety Helmet & Versaflo M-307 Headtop	H31P3AF	1	6	6
PELTOR Welding Ear Defender	H505B	10	1	10

3M Eyewear



Safety Spectacles	3M REF	Part No	Packaging	
			Per Box	Boxes Per Case
3M™ Virtua™ AP Safety Spectacles (Clear)	71512-0000	SAFE0002	20	1
3M™ Virtua™ Safety Spectacles (Clear)	71500-00001	SAFE0004	20	1
Virtua Safety Spectacles (Grey)	71512-0001	SAFE0003	20	1
3M™ Tora™ Safety Spectacles with Cord (Clear)	71501-00001CP	SAFE3826	20	1
Tora Safety Spectacles with Cord (Bronze)	71501-00002CP	SAFE3827	20	1
Tora Safety Spectacles with Cord (Yellow)	71501-00003CP	SAFE3828	20	1
2720 Spectacles Blue Frame with Clear polycarbonate Lens, anti scratch, anti fog	2720	SAFE3835	10	1
2730 Spectacles with Adjustable Arms, Clear polycarbonate Lens, anti scratch, anti fog	2730	SAFE0001	10	1
2845 Spectacles with Silver Frame, Shade 5 Lens	2845	SAFE3764	10	1
Goggles				
4800 Goggle (Clear) with polycarbonate lens	71347-00011M	SAFE0000	20	1



SAFE0002



SAFE0003



SAFE0004



SAFE3826



SAFE3827



SAFE3828



SAFE3835



SAFE0001



SAFE3764



SAFE0000

3M Protective Coveralls



4515 Protective Coveralls	3M REF	Part No	Packaging	
			Per Box	Boxes Per Case
4515 Coverall white type 5/6 size M	4515M	SAFE0012	20	1
4515 Coverall white type 5/6 size L	4515L	SAFE0013	20	1
4515 Coverall white type 5/6 size XL	4515XL	SAFE0014	20	1
4515 Coverall white type 5/6 size XXL	4515XXL	SAFE0015	20	1

The 3M™ 4515 is available in a wide range of colours. The breathable fabric is designed to offer protection against hazardous dusts and limited liquid splash.

- Elasticated hood, ankles and wrist
- 2 way zip with storm flap
- Low linting white overalls



4540+ Protective Coveralls	3M REF	Part No	Packaging	
			Per Box	Boxes Per Case
4540+ Coverall white+blue type 5/6 size S	4540+ S	SAFE3829	20	1
4540+ Coverall white+blue type 5/6 size M	4540+ M	SAFE3830	20	1
4540+ Coverall white+blue type 5/6 size L	4540+ L	SAFE3831	20	1
4540+ Coverall white+blue type 5/6 size XL	4540+ XL	SAFE3832	20	1
4540+ Coverall white+blue type 5/6 size XXL	4540+ XXL	SAFE3833	20	1
4540+ Coverall white+blue type 5/6 size XXXL	4540+ XXXL	SAFE3834	20	1

The 3M™ 4540+ is a highly versatile protective coverall which is mostly made from a unique microporous PE laminate, designed to be softer and drape better over the body. It is designed to offer an excellent barrier to particles and limited liquid splash but it also features a breathable SMMMS back panel.

- Elasticated hood, ankles and wrist
- 2 way zip with fully sealable storm flap
- 3-panel hood
- Knitted cuffs
- Low linting